



PT-70 COMPACT TRACK LOADER



Brief Specifications

Operating Weight:	7,890 lb (3579 kg)
Tipping Load:	5,500 lb (2495 kg)
Ground Pressure:	3.7 psi (25.5 kPa)
Gross Engine Power:	71 hp (53 kW)

- A high-performance loader with premium features and exceptional value.
- Very low ground pressure allows work on soft or sensitive surfaces with minimal damage or impact.
- Easy operation with pilot-operated joystick controls and comfortable easy access operator station.
- Standard auxiliary hydraulics and quick coupler attach easily to a wide range of industry-standard attachments.



Specifications

Operating Specifications (standard equipment)

Operating weight	7,890 lb. (3579 kg)
Shipping weight	7,315 lb (3318 kg)
Ground pressure @ operating weight	3.7 psi (25.5 kPa)
Tipping load	5,500 lb (2495 kg)
Operating capacity, 50% tipping load	2,750 lb (1247 kg)
Operating capacity, 35% tipping load	1,925 lb (873 kg)
Travel speed, maximum	0-7 mph (11.3 kph)

Engine

Type	Diesel, 4-cylinder, turbocharged
Model	Perkins 804C-33T
Displacement	202 in ³ (3.3 L)
Gross power rating @ 2600 rpm	71 hp (53 kW)
Torque, peak	173 ft-lb (235 Nm)
Cooling system	Engine-driven fan and coolant/anti-freeze-filled radiator
Engine block heater	Standard, AC plug-in type
Intake air cleaner	Dual stage
Emission controls	Meets all U.S. EPA Tier 2 standards

Undercarriage

Track type	- General purpose track constructed of rubber compound with embedded co-polymer cords and all-purpose treads. - Single row of track drive lugs molded in.
Track width	15 in (381 mm)
Length of track on ground	71 in (1803 mm)
Ground contact area	2,130 in ² (1.37 m ²)
Drive system	Two hydrostatic direct drive sprockets controlled by a single joystick.
Track drive sprocket	Elevated with low friction, replaceable sprocket rollers.
Undercarriage suspension	Two independent torsion axles per undercarriage.
Roller wheels	14 high-density polyurethane and rubber wheels per track. Wheel bearings protected by metal-faced seals.
Roller wheel diameters:	Front & rear wheels - 15 in (381 mm); Middle wheels - 10 in (254 mm)

Auxiliary Hydraulic System

Pump capacity:	
Low:	Variable from 0-17.4 gpm (65.9 lpm)
High:	30 gpm (113.6 lpm)
System pressure, max.	3,000 psi (20 670 kPa)
Controls	Variable (low) via joystick button or continuous via console switch, High/Low mode selectable via dash-mounted switch.
Couplers	Push-to-connect quick couplers mounted on loader arms. Pressure relief valve mounted to coupler block.
Cooling system	High efficiency oil cooler beside engine radiator, not stacked.

Electrical System

Nominal charge	12 V
Battery	925 CCA
Charging system	90 amp alternator
Outlets	1-12 V port inside operator station
Wiring	Pre-wired for all factory-available accessories

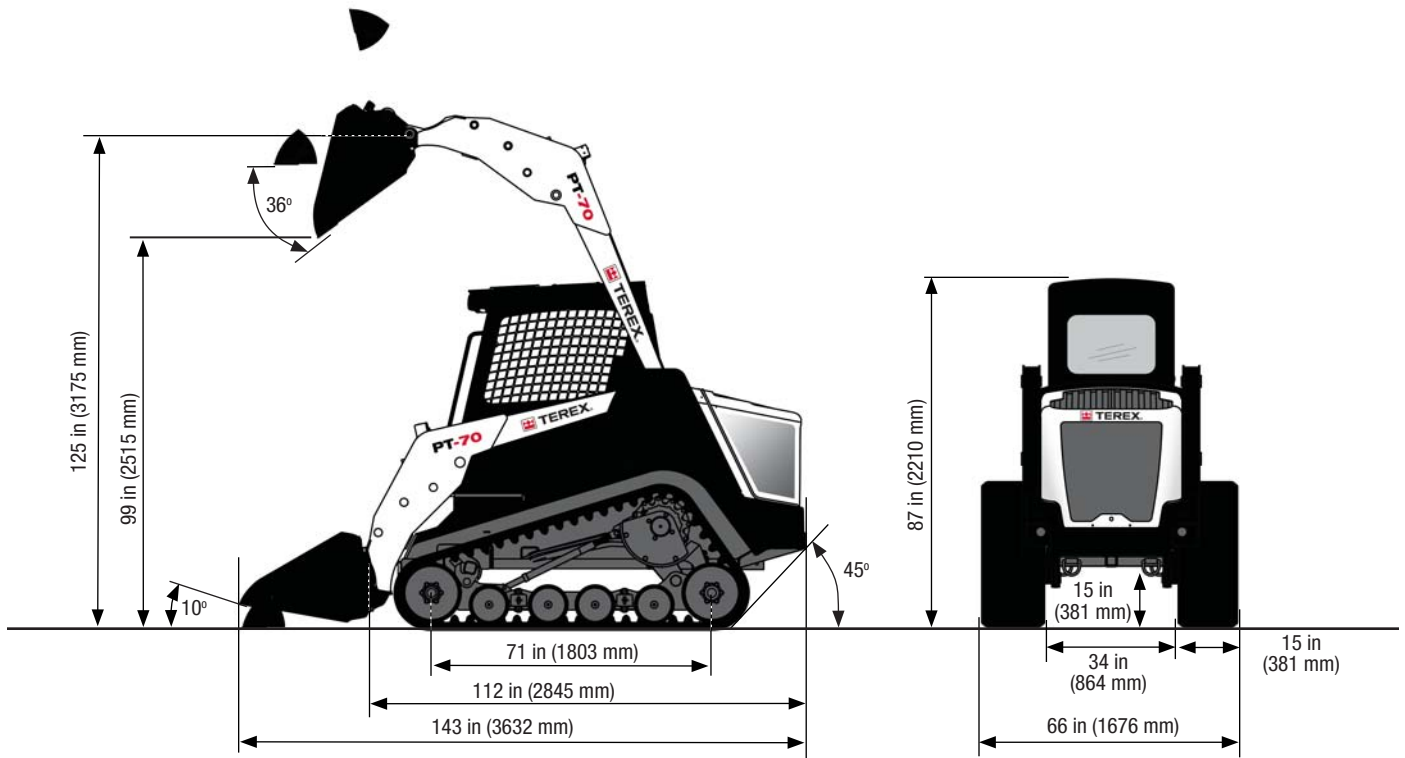
Operator Station

Seat	Adjustable contour vinyl seat with built-in operator presence switch, lap bar and 3-inch (76 mm) wide seat belt.
Loader control	Right-hand pilot hydraulic joystick controls loader lift/lower and tilt, plus variable control of aux. hydraulic.
Drive control	Left-hand pilot hydraulic joystick controls machine speed and direction.
Engine speed	Foot pedal
Indicators/gauges	- Engine oil pressure gauge - Hydraulic oil temperature gauge - Battery voltage gauge - Coolant temperature gauge - Tachometer - Fuel gauge - Hourmeter
ROPS	Meets SAE J1040 MAY94, ISO 3471:1994
FOPS	Meets SAE J1043 SEPT87, ISO 3449:1992
Illumination	4 - Fixed forward-facing halogen lights 2 - Adjustable rear-facing halogen light 1 - Interior light
Convenience	12 V power port
Operator station options	- Back-up alarm - Beacon, rotating - Bucket positioning, automatic - Cab enclosure with wiper - Cab enclosure with heater, insulation, wiper - Front door, slide-up (glass or polycarbonate) - Horn - Sound insulation - Suspension seat - Window, rear - Windows, side, sliding

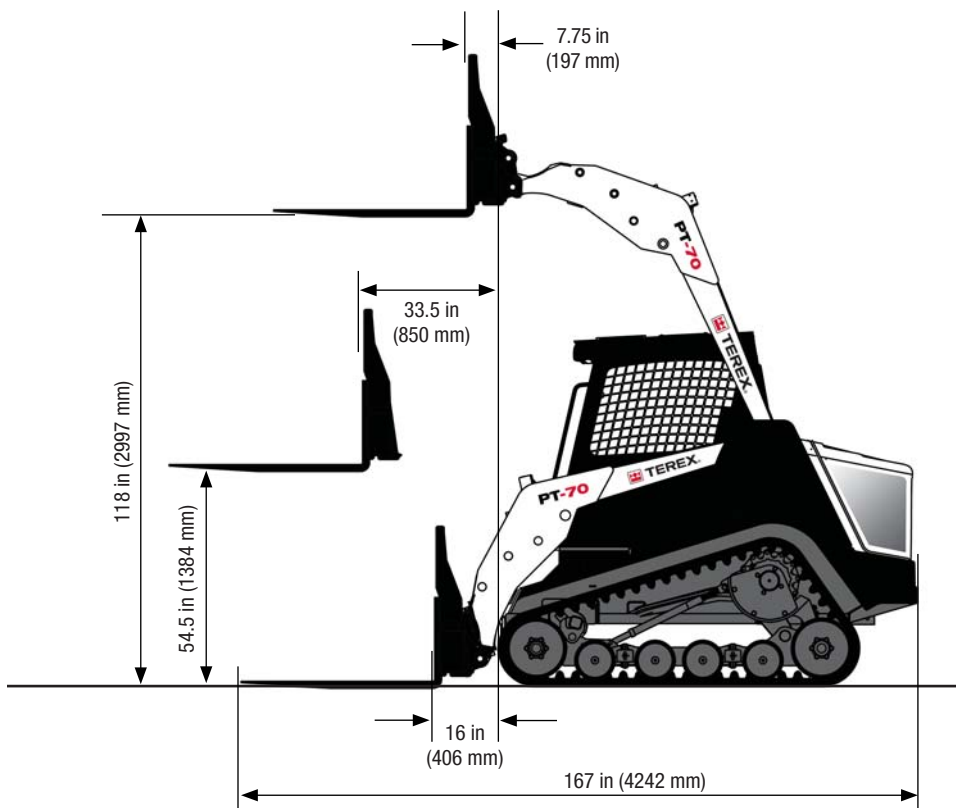
Service Refill Capacities

Fuel tank	18 US gal (68 L)
Hydraulic tank	21 US gal (79 L)
Engine coolant/antifreeze	3 US gal (12 L)
Engine oil, including filter	9 quarts (8.52 L)

Dimensions: General Purpose Bucket



Dimensions: Pallet Fork Attachment



Attachment Interface and Attachments

The PT-70 comes standard with a manually operated loader-mounted quick attach interface that makes it quick and easy to mount a variety of different attachments. A hydraulically-operated quick attach is available as an option.

The following attachments are available from Terex for the PT-70 so you are assured proper fit, balance and operation.

Auger & bits

Backhoe

Broom, rotary

Bucket, general purpose

Bucket, light material

Bucket, multi-purpose

Brush cutter, rotary

Dozer blade

Land leveler

Pallet forks

Power box rake

Stump grinder

Snow blade

Snow blower

Trencher

Vibratory roller

Effective date: December, 2008. Product specifications and prices are subject to change without notice or obligation. The photographs and/or drawings in this document are for illustrative purposes only. Refer to the appropriate Operator's Manual for instructions on the proper use of this equipment. Failure to follow the appropriate Operator's Manual when using our equipment or to otherwise act irresponsibly may result in serious injury or death. The only warranty applicable to our equipment is the standard written warranty applicable to the particular product and sale and Terex makes no other warranty, express or implied. Products and services listed may be trademarks, service marks or trade-names of Terex Corporation and/or its subsidiaries in the USA and other countries. All rights are reserved. Terex is a registered trademark of Terex Corporation in the USA and many other countries. Copyright 2008 Terex Corporation.

Terex Corporation
840 Lily Lane, Grand Rapids, MN 55744
Tel +1 (800) 346-5954 Fax +1 (218) 327-2376
www.terex.com

