

# Compact Track Loader



## Specifications

Operating Weight:	11,682 lb (5,299 kg)
Tipping Load:	8,000 lb (3,629 kg)
Ground Pressure:	4.5 psi (31 kPa)
Gross Engine Power:	99.9 hp (74.5 kW)

## Features

- A high-performance loader with premium features and an advanced undercarriage that includes multi-level suspension for exceptional traction and operator comfort.
- Two-speed hydrostatic drive system offers fast travel speed and high torque work speed. Selectable creep mode.
- Easy operation with pilot-operated joystick controls and comfortable operator station. Selectable ISO or "H" control pattern, and adjustable loader speed and sensitivity without sacrificing operating capacity or breakouts.
- Standard load sensing high-flow auxiliary hydraulics and high-capacity cooling system are ideal for demanding applications like brush cutting, mulching, cold planing and more.

**WORKS FOR YOU.™**

# SPECIFICATIONS

## Operating Specifications (standard equipment)

Operating weight	11,682 lb (5,299 kg)
Shipping weight	10,720 lb (4,863 kg)
Ground pressure @ operating weight	4.5 psi (31 kPa)
Tipping load	8,000 lb (3,629 kg)
Operating capacity, 50% tipping load	4,000 lb (1,814 kg)
Operating capacity, 35% tipping load	2,800 lb (1,270 kg)
Travel speed, low range	0-6 mph (9.7 kph)
Travel speed, high range	0-10 mph (16 kph)

## Engine

Type	Diesel, 4-cylinder, turbocharged, liquid cooled
Model	Perkins 1104D-44T
Displacement	268 in <sup>3</sup> (4.4 L)
Gross power rating @ 2200 rpm	99.9 hp (74.5 kW)
Torque, peak	310 ft-lb (420 Nm)
Cooling system	Electronic reversing fan and coolant/anti-freeze-filled radiator
Engine block heater	Standard, AC plug-in type
Intake air cleaner	Dual stage
Emission controls	Meets all U.S. EPA Tier 3 standards

## Undercarriage

**Track Type:** General purpose track constructed of rubber compound with embedded co-polymer cords and all-purpose treads. Three rows of track drive lugs molded in.

Track width	20 in (508 mm)
Length of track on ground	71 in (1,803 mm)
Ground contact area	2,840 in <sup>2</sup> (1.83 m <sup>2</sup> )
Drive system	Two-speed radial piston motors connected to planetary reduction final drives.
Track drive sprocket	Elevated with low friction, replaceable sprocket rollers.
Undercarriage suspension	Two independent torsion axles suspend each track frame, plus four independent wheel carriages (4 wheels each) per track.
<b>Roller Wheels:</b> 24 high-density polyurethane and rubber wheels per track. Wheel bearings protected by metal-faced seals.	
Roller wheel diameter	Front & rear wheels - 15 in (381 mm) Middle wheels - 10 in (254 mm)



## Service Capacities

Fuel tank	30 gal (114 L)
Hydraulic tank	22 gal (86 L)
Engine coolant/antifreeze	4.3 gal (12 L)
Engine oil, including filter	9 quarts (8.5 L)

## Auxiliary Hydraulic System

Pump capacity: Low - Variable from 0-20 gpm (76 lpm). High - 45 gpm (170 lpm) adjustable from 30-45 gpm (114-170 lpm)	
System pressure, max.	
low flow	3,300 psi (22 753 kPa)
high flow	3,800 psi (25 166 kPa)
<b>Controls:</b> Intermittent via joystick button or continuous via console switch, mode selectable via dash-mounted switch.	
<b>Couplers:</b> Push-to-connect quick couplers mounted on loader arms. Pressure relief valve mounted to coupler block.	
<b>Cooling system:</b> High efficiency side-by-side radiator and oil cooler	

## Electrical System

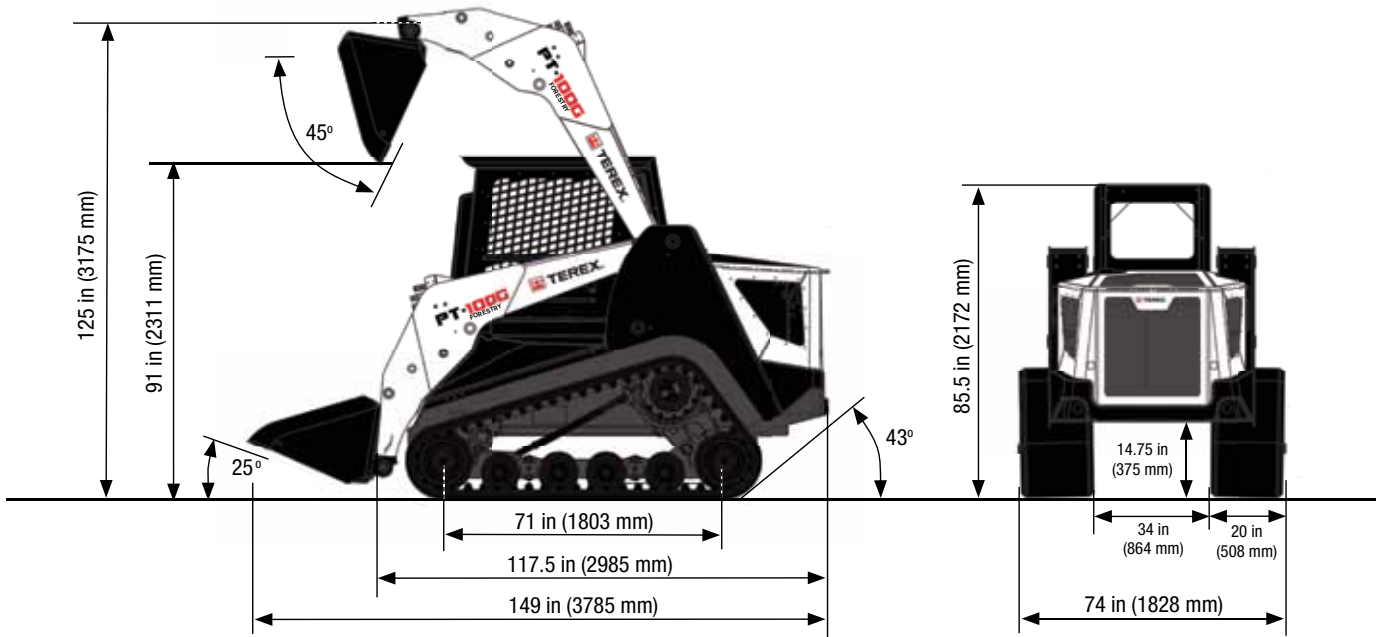
Nominal charge	12 V
Battery	950 CCA
Charging system	120 amp alternator
Outlets	1-12 V port inside operator station
Wiring	Pre-wired for all factory-available accessories

## Operator Station

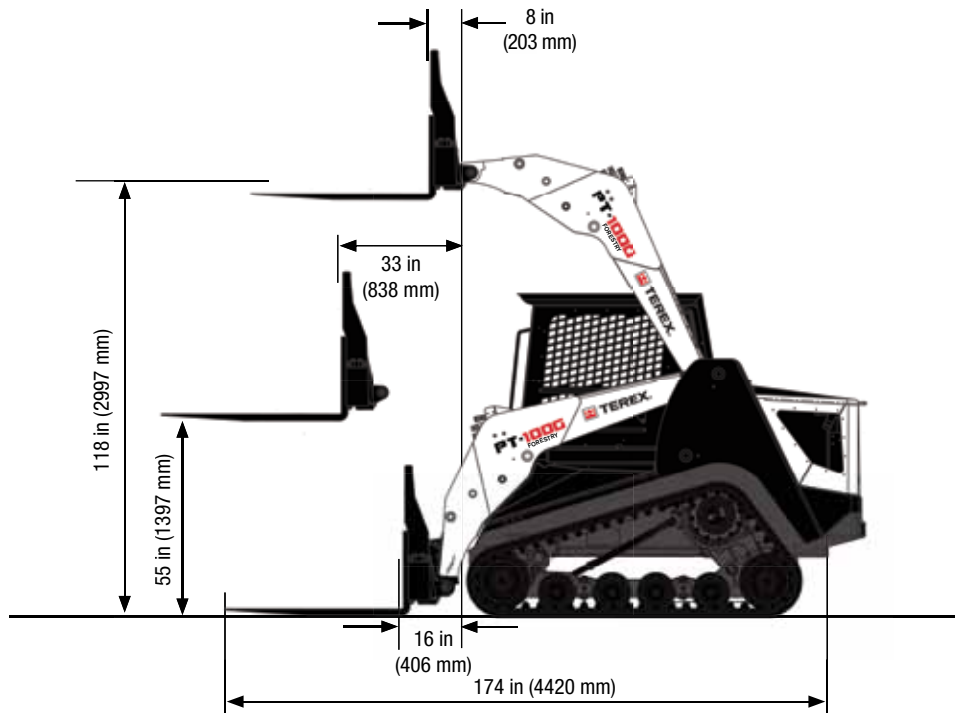
<b>Cab:</b> Sealed and pressurized cab.		
<b>Seat:</b> Adjustable suspension contour vinyl seat with built-in operator presence switch, lap bar and 2-inch (51 mm) wide seat belt.		
<b>Loader control:</b> Right-hand pilot hydraulic joystick controls loader lift/lower and tilt, plus intermittent control of auxiliary hydraulic.		
<b>Drive control:</b> Left-hand pilot hydraulic joystick controls machine speed and direction. Selectable control pattern from ISO to H.		
Engine speed	Foot pedal.	
Indicators/gauges	Fuel level Tachometer Hour meter Coolant temp. gauge Oil temp. gauge	Oil temp. warning light Engine oil pressure gauge Engine oil pressure warning Battery low voltage indicator Two-speed indicator
ROPS	Meets SAE J1040 APR 88, ISO 3471: 2008	
FOPS	Meets ISO 3449: 2005 Level 1	
Illumination	2 - Fixed forward-facing halogen lights 2 - Rear-facing halogen lights 1 - Interior light	
Convenience	12 V power port	

# PT-100G Forestry

## Dimensions: General Purpose Bucket



## Dimensions: Pallet Fork Attachment



**WORKS FOR YOU.™**

## Attachment Interface and Attachments

Auger & bits	Land Leveler	Vibratory roller
Backhoe	Mulching head	
Broom, rotary	Pallet forks	
Bucket, general purpose	Power box rake	
Bucket, light material	Snow blade	
Bucket, multi-purpose	Snow blower	
Brush cutter, rotary	Stump grinder	
Dozer blade	Trencher	

### terex.com

Effective Date: June 2010. Product specifications and prices are subject to change without notice or obligation. The photographs and/or drawings in this document are for illustrative purposes only. Refer to the appropriate Operator's Manual for instructions on the proper use of this equipment. Failure to follow the appropriate Operator's Manual when using our equipment or to otherwise act irresponsibly may result in serious injury or death. The only warranty applicable to our equipment is the standard written warranty applicable to the particular product and sale and Terex makes no other warranty, express or implied. Products and services listed may be trademarks, service marks, or trade names of Terex Corporation and/or its subsidiaries in the USA and other countries. All rights are reserved. Terex is a registered trademark of Terex Corporation in the USA and many other countries. © 2010 Terex Corporation.

8800 Rostin Road, Southaven, MS 38671 USA  
1.888.90.TEREX (83739)



**WORKS FOR YOU.™**

PT1006 Forestry 0610 PN 280110